

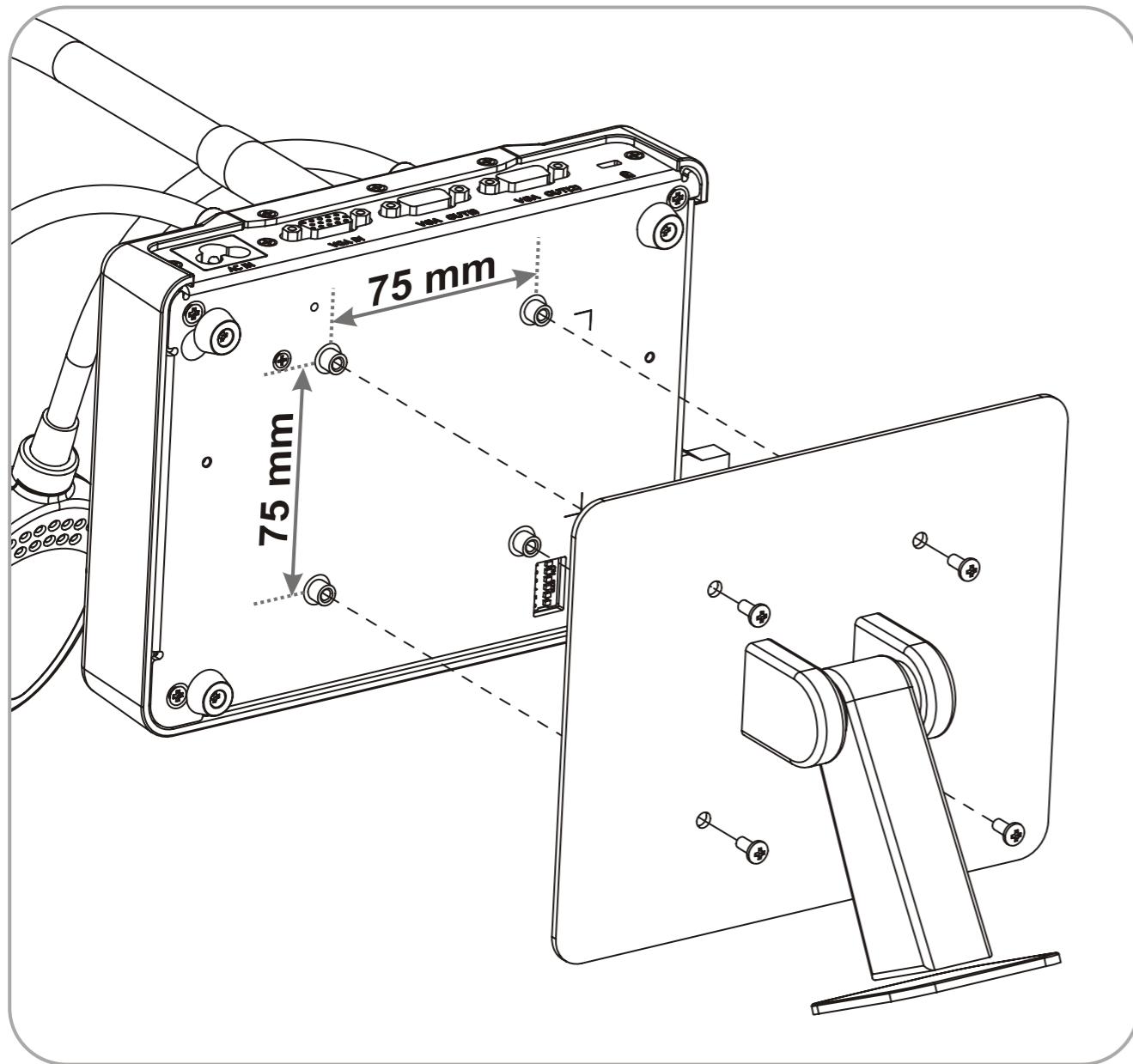
VESA Base Installation Guide



NOTE!!

1. The mounting bracket, which must be purchased separately, must conform to VESA standard : VESA bolt pitch 75*75mm (Figure A)
2. Select the proper screw :
 (1)Screw Length= 5mm+plate thickness (2)Screw Type=M4 (P=0.7)

Figure A



NOTE!!

Select the proper screw :

- (1)Screw Length= 5mm+plate thickness (2)Screw Type=M4 (P=0.7)

